



DAXIAL FANS
www.daring.com.tw



達盈科技工業股份有限公司

產品型號說明

範例 A17238-V2HBTS(3)

型號	A	17238	—	V2	H	B	T	S	(3)
位置	1	2		3	4	5	6	7	8

- 1.用途：A(Axial)軸流扇、B(Blower)橫流扇、C(centrifugal)離心扇
- 2.風扇外徑與厚度：單位 mm
- 3.輸入電壓：V (AC)交流電、D (D.C.)直流電，數字表示電壓大小
V1 = AC 115V
V2 = AC 230V
V3 = AC 380V
V4 = AC 440V
D12 = DC 12V
D24 = DC 24V
D48 = DC 48V
- 4.風扇性能：S(Super)特極、H(high)高轉、M(Medium)中轉
- 5.軸承型式：B(Ball) 滾珠軸承、S(Sleeve) 含油軸承
- 6.電源接頭型式：T(Terminal) 端子、L(Lead Wire) 引線
- 7.扇葉材質：S(Steel) 鐵、P(Platic) 塑膠
- 8.特殊：3 (three-phase) 三相電源、E (Without Frame) 無框

※位置「8」為特殊編碼，產品規格有使用時才會編入



A17238



SIZE 172X151X38mm

HOUSING Die-Cast Aluminum, Painted Black

IMPELLER Steel

BEARING Ball

MOTOR TYPE AC Induction Capacitor Motor

CONNECTION Terminals or Lead wire

DIELECTRIC STRENGTH 1500 VAC for 1 minute

INSULATION Class B

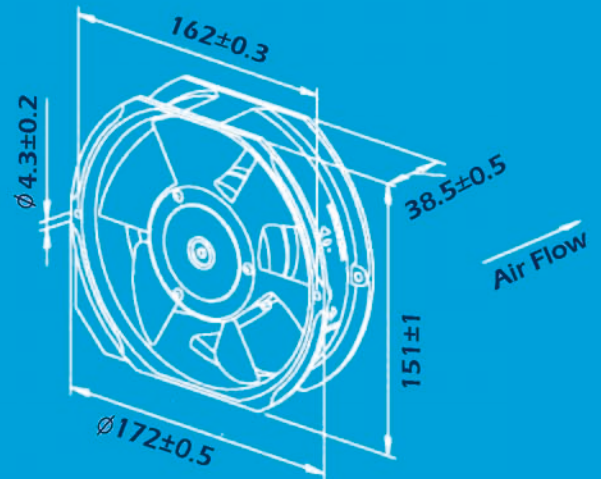
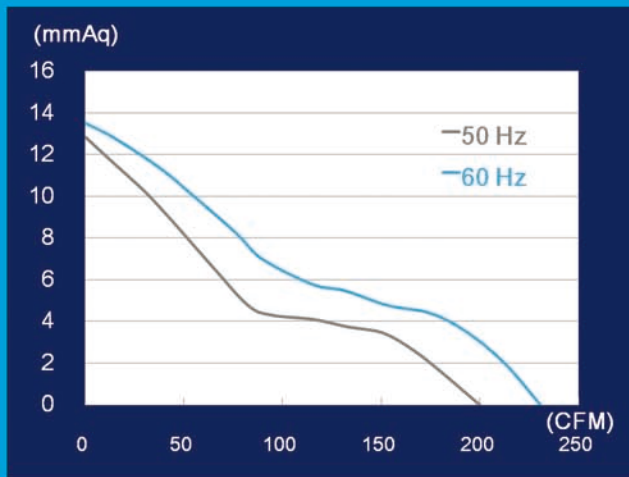
INSULATION RESISTANCE 100,000 Ohms min. @500 VDC

OPERATING TEMPERATURE -10°C To +70°C

SAFETY Thermally Protected (Auto Restart)

WEIGHT 820g

ROHS COMPLIANCE Yes



Model	Voltage VAC	Freq. Hz	Current A	Power W	Speed RPM	Noise dB	Pressure mmAq	Air Flow CFM
A17238-V1HBTS	115	50/60	0.24/0.21	25/24	2700/3100	52/58	12.9/13.5	200/232
A17238-V2HBTS	230	50/60	0.10/0.10	22/23	2700/3100	52/58	12.6/13.2	200/231
A17238-V2HBTS (V200)	200	50/60	0.11/0.11	22.5/23.5	2700/3100	52/58	12.5/13.0	200/230